



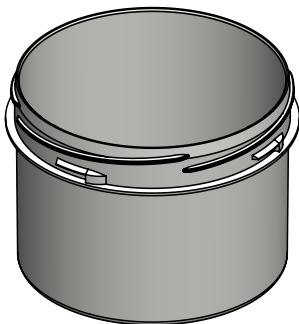
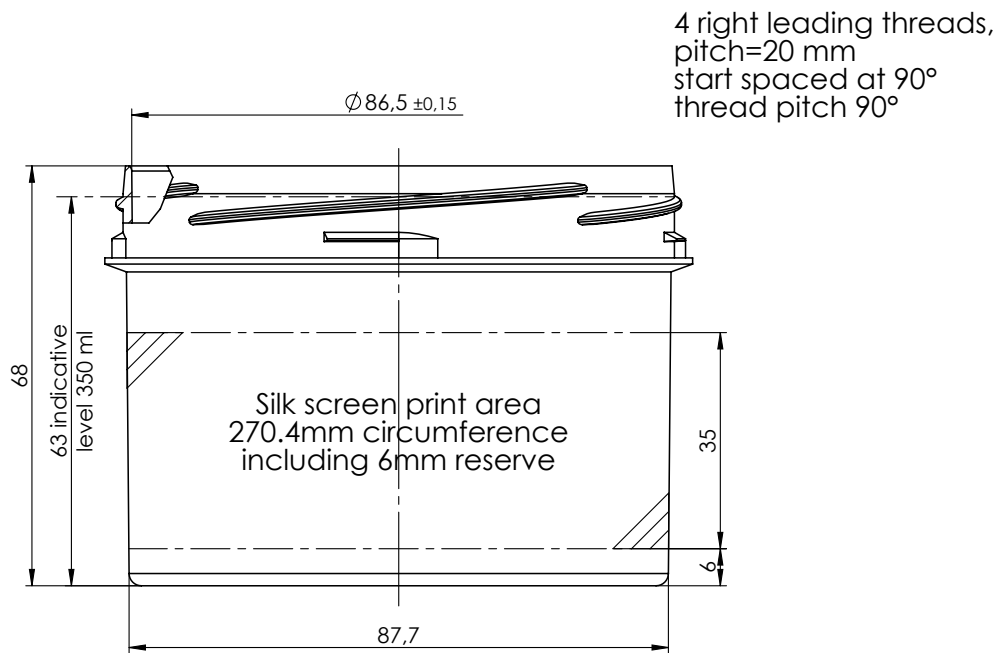
Taylor Davis
...not just ANY packaging company!

Product Specification Sheet

Product Category: **PLASTIC JARS**

Product Title: **JAR 350ML (90X70) SC/TE 8601401 - WHITE**

Product Code: **JB0350M003**



DUPLICATA

H	20/06/11	Weight 27±1.5g was 26±1.5g	-	-
Issue	Date	Modifications (see historic at back)	Modified	Checked
		Designation: Screwlock jar 90x70 350ml	Drawn by: NIMA	Date: 20/03/2001
		Raw material: PP	Checked by: MCS	Date: 20/06/2011
		Brimfull capa.: 386±10ml	Reference: 86014..	Drawing n°: WEB 94013
		Weight: 27±1.5g		
		Scale: 1:1	Standard for dimensions without tolerances: NFT 58 000 Normal class	
ALL REPRODUCTION OR COMMUNICATION TO THIRD PARTY IS STRICTLY FORBIDDEN WITHOUT BERRY WRITTEN AUTHORISATION				