



Taylor Davis
...not just ANY packaging company!

Product Specification Sheet

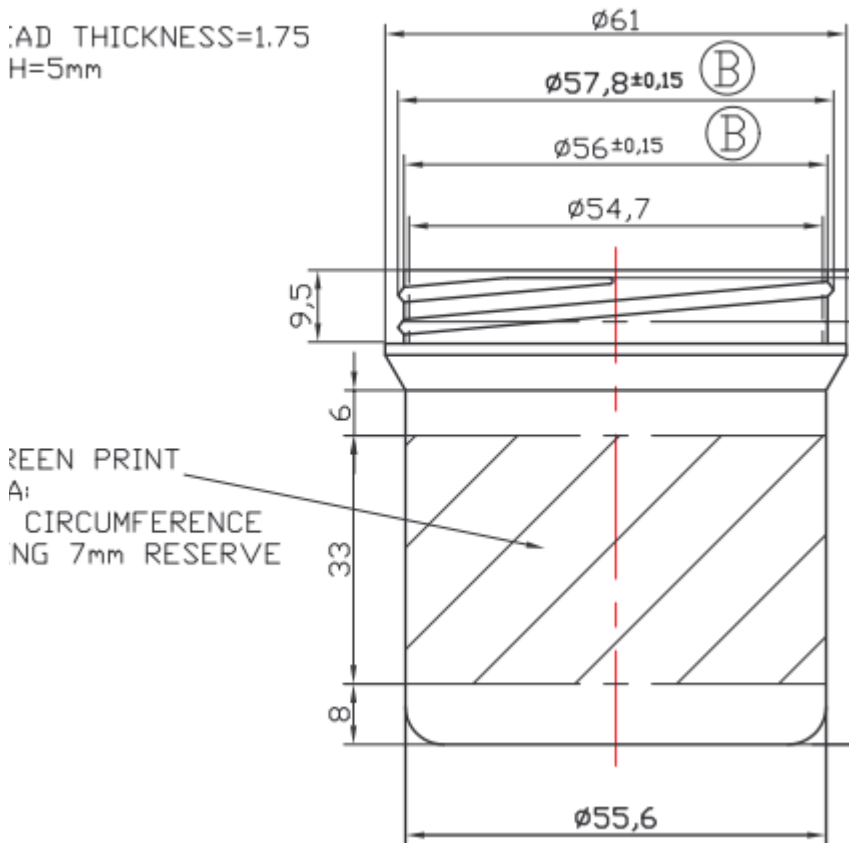
Product Category: Plastic Jars

Product Code: JB0125M001

Optima Screw Top Jar - 125ml

JB0125M001

WALL THICKNESS=1.75
H=5mm



DIMENSIONS	TOL.
$\varnothing < 10$	± 0.3
$10 < \varnothing < 25$	± 0.4
$25 < \varnothing < 50$	± 0.55
$50 < \varnothing < 75$	± 0.83
$75 < \varnothing < 150$	± 1.15
$150 < \varnothing < 200$	± 1.5
$200 < \varnothing < 250$	± 1.8

B	28.02.06	ADDITION: TOLERANCE $\pm 0,15$ ON $\varnothing 56$; $\varnothing 57,61$ BECOMES $\varnothing 57,8 \pm 0,15$	
ISSUE	DATE	MODIFICATIONS	
ALL REPRODUCTION OR COMMUNICATION OF THIS INFORMATION TO A THIRD PARTY IS STRICTLY FORBIDDEN WITHOUT PROMENS WRITTEN AUTHORISATION			
		OPTIMA JAR 55x60 (125ml)	
		REFERENCE: 80015..	
		CUSTOMER: STANDARD	
DRAWN: NM	DATE: 26.04.01	RAW MATERIAL: PP	
CHECKED: MG	DATE: 23.11.07	WEIGHT: 12.6 \pm 0.6g	
SCALE: 1	ISSUE: B	BRIMFUL CAPACITY: 145 \pm 2.5ml	
		DRAWING NUMBER: WEB-01_039	