



Taylor Davis
...not just ANY packaging company!

Product Specification Sheet

Product Category: Plastic Jars

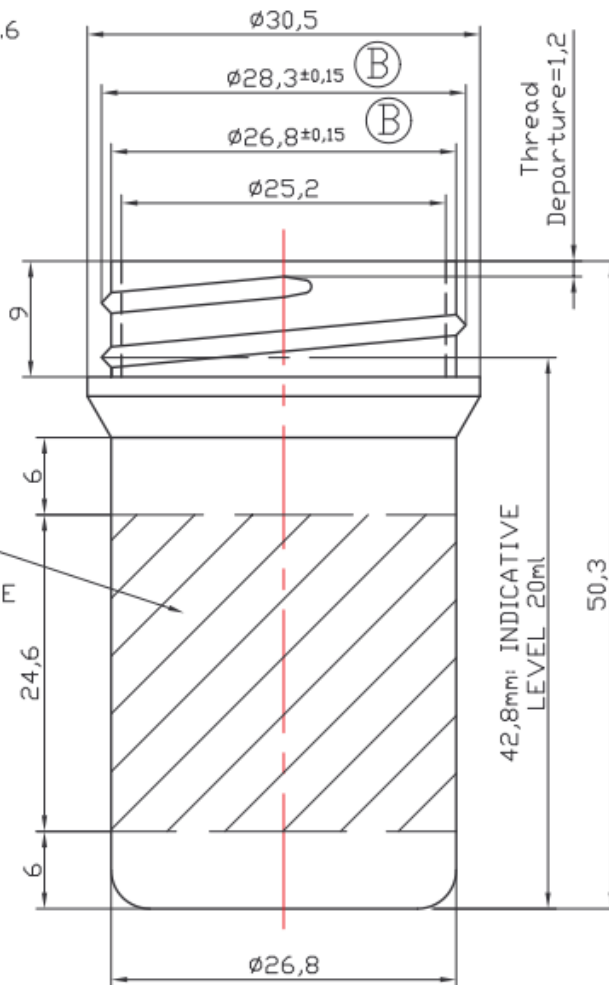
Product Code: JB0020M002

Optima Screw Top Jar - 20ml

JB0020M002



THREAD THICKNESS=1.6
PITCH=4mm



SILK SCREEN PRINT
AREA:
74.7mm CIRCUMFERENCE
INCLUDING 7mm RESERVE

DIMENSIONS	TOL.
$\varnothing < 10$	± 0.3
$10 < \varnothing < 25$	± 0.4
$25 < \varnothing < 50$	± 0.55
$50 < \varnothing < 75$	± 0.83
$75 < \varnothing < 150$	± 1.15
$150 < \varnothing < 200$	± 1.5
$200 < \varnothing < 250$	± 1.8

B	27.02.06	ADDITION: TOLERANCES ± 0.15 ON $\varnothing 28.3$ AND $\varnothing 26.8$	
ISSUE	DATE	MODIFICATIONS	
ALL REPRODUCTION OR COMMUNICATION OF THIS INFORMATION TO A THIRD PARTY IS STRICTLY FORBIDDEN WITHOUT PROMENS WRITTEN AUTHORISATION			B.P.9 - Bellignat 01115 OYONNAX FRANCE Tél:(+33) 474 817 481 Fax:(+33) 474 730 475
OPTIMA JAR 25x50 (20ml)			REFERENCE: 80003..
DRAWN: NM	DATE: 26.04.01	RAW MATERIAL: PP	CUSTOMER:
CHECKED: MG	DATE: 23.11.07	WEIGHT: $4.9 \pm 0.3g$	STANDARD
SCALE: 2	ISSUE: B	BRIMFUL CAPACITY: $24.4 \pm 0.4ml$	DRAWING NUMBER: WEB-01_031