

4305

500 ml Packo



| Product part | Product code | Materials |
|-----------------|--------------|-----------|
| Packo container | 4305 | HDPE |

| Capacity | ML | US Fluid ounces |
|-------------|-----|-----------------|
| Brimful | 555 | 18.77 |
| When closed | 505 | 17.08 |

| Hazardous material information | |
|--------------------------------|--|
| Hazardous material type | Solids |
| Packaging group | I – II – III |
| UN marking | 1H2/X0.7/Y1.0/Z1.5/S/--/NL/CURTEC-110503 |
| Maximum gross mass (kg) | X=0.7 Y=1.0 Z=1.5 |

| Weight | Grams | Ounces |
|-----------------|-------|--------|
| Packo container | 35.0 | 1.24 |

Weight tolerance
All products have a tolerance of $\pm 4\%$ of the initial weight mentioned on this data sheet

Dimensional tolerance (mm) according to DIN16742-TG7

| Over | 1 | >3 | >6 | >10 | >18 | >30 | >50 | >80 | >120 | >180 | >250 | >315 | >400 | >500 | >630 | >800 |
|--------------|------|------|------|------|------|------|------|------|------|------|------|------|------|------|------|------|
| up to | 3 | 6 | 10 | 18 | 30 | 50 | 80 | 120 | 180 | 250 | 315 | 400 | 500 | 630 | 800 | 1000 |
| NW (\pm) | 0.20 | 0.29 | 0.35 | 0.42 | 0.50 | 0.60 | 0.90 | 1.25 | 1.45 | 1.60 | 1.80 | 2.60 | 3.50 | 4.00 | 4.50 | 5.00 |

| Standard color(s) | Color code | PMS references |
|-------------------|------------|----------------|
| Packo container* | White 004 | / |

* Other colors available on request

Product identification

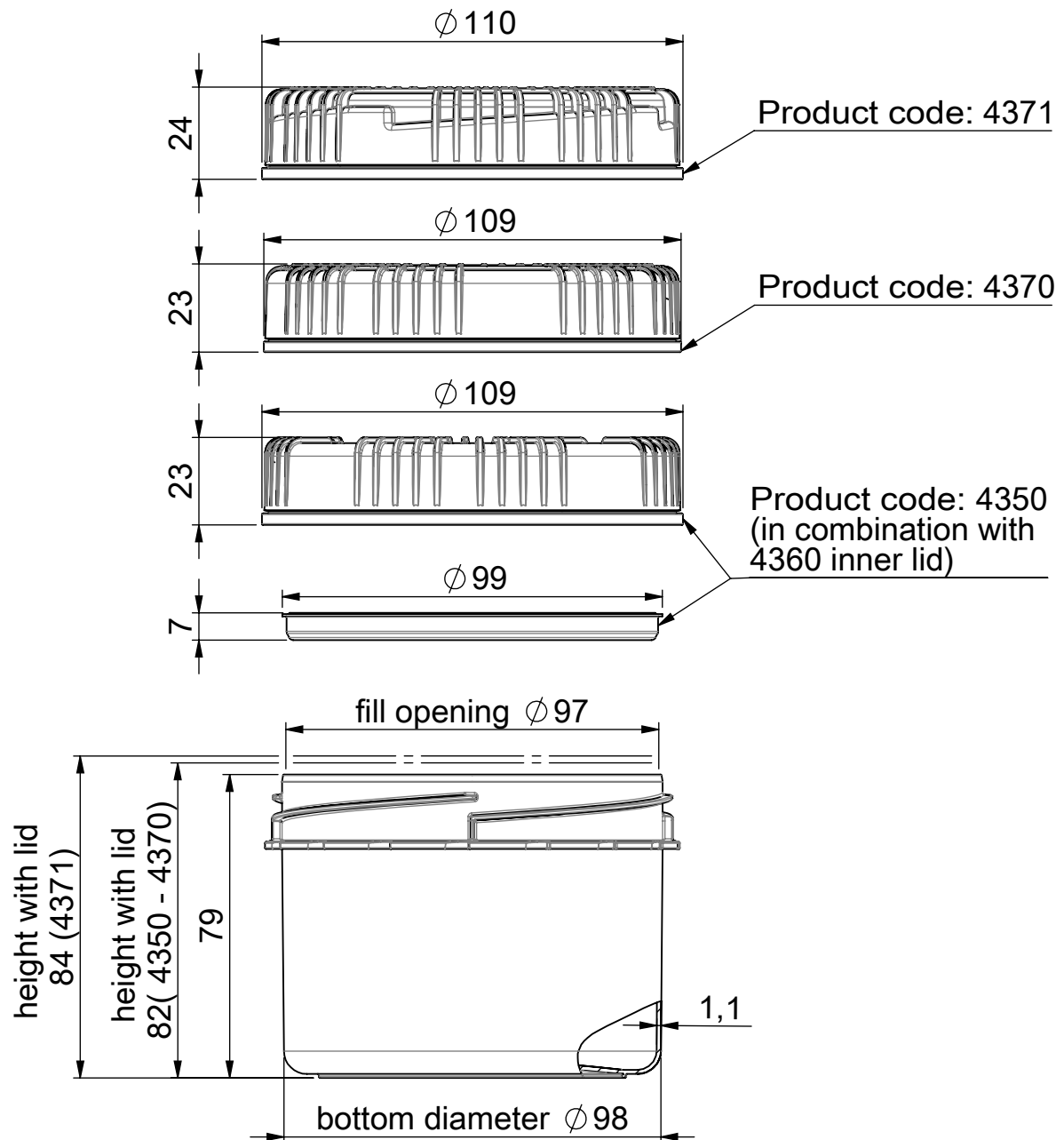
| | |
|------------------------------|--------|
| Manufacturer ID | Bottom |
| Product code | Bottom |
| Recycle logo / Material type | Bottom |
| Date clock | Bottom |
| UN-mark | Bottom |
| Food logo | Bottom |
| Material track clock | Bottom |
| CFR49-mark | -- |

Other information
 The container can be opened and closed with just a quarter-turn
 All compatible lids are equipped with integrated tear-off tamper evident seal
 Maximum filling temperature is 70°C/ 158°F
 Contents must have cooled to 30°C/ 86°F before containers can be closed and stacked
 DoC available on request
 UN certificate available on request
 MVTR declaration available on request
 Leak tightness declaration available on request (valid in combination with the 4371 lid)
 User manual available on request

DISCLAIMER

CurTec manufactures packaging material for a wide range of purposes. This declaration is restricted to the packaging material as it leaves the production facility. CurTec has neither control over final end use of the product nor over processing conditions. It is therefore the responsibility of the end user to check compliance with the relevant regulations and to validate material performance in the end application through proper end use testing.

© 2021 Property of CurTec International B.V. All rights explicitly reserved, it is not allowed to copy or communicate to other parties without written consent of CurTec.



NOTE: Packo is displayed with 3 variations of lids.

Title 4305 Packo 500 ml

| Revision | Rev. Date | Units |
|----------|------------|-------|
| G | 17-02-2021 | mm |



This document is property of CurTec Nederland B.V.
and may not be copied or communicated without written consent.
All Rights Reserved

